



Solar Inverter

Product Features

- Pure sine wave output
- Powerful charge rate up to 140MP
- Optional MPPT/PWM solar charge controller 30A-120A
- MPPT Efficiency max 98%
- Automatically send signal to start generator
- DC start and automatic self-diagnostic function
- High efficiency design and "power saving mode" to conserve energy
- Auto restart when AC in recovering
- Smart battery charger design for optimized battery performance
- Selectable charging current based on applications
- AC input/DC input/solar input optional priority
- AC start-up voltage/auto restart voltage
- Maximum AC input current

Applications



INVERTER-VE

350W-1200W

45-65Hz



Over load protection



Battery reverse connected protection



Dustproof



Output short-circuit protection



High voltage protection



Low voltage protection



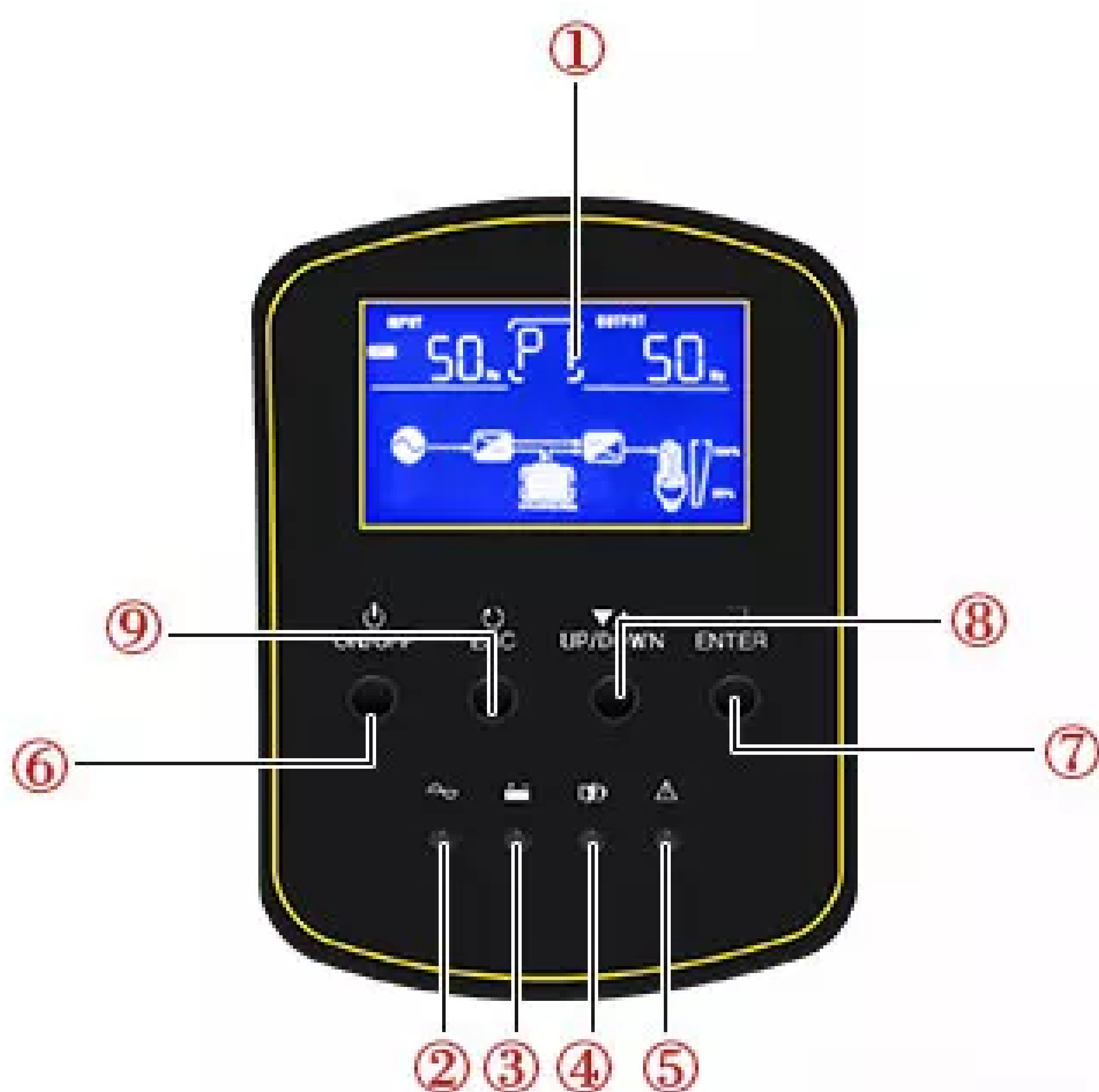
Overheating protection



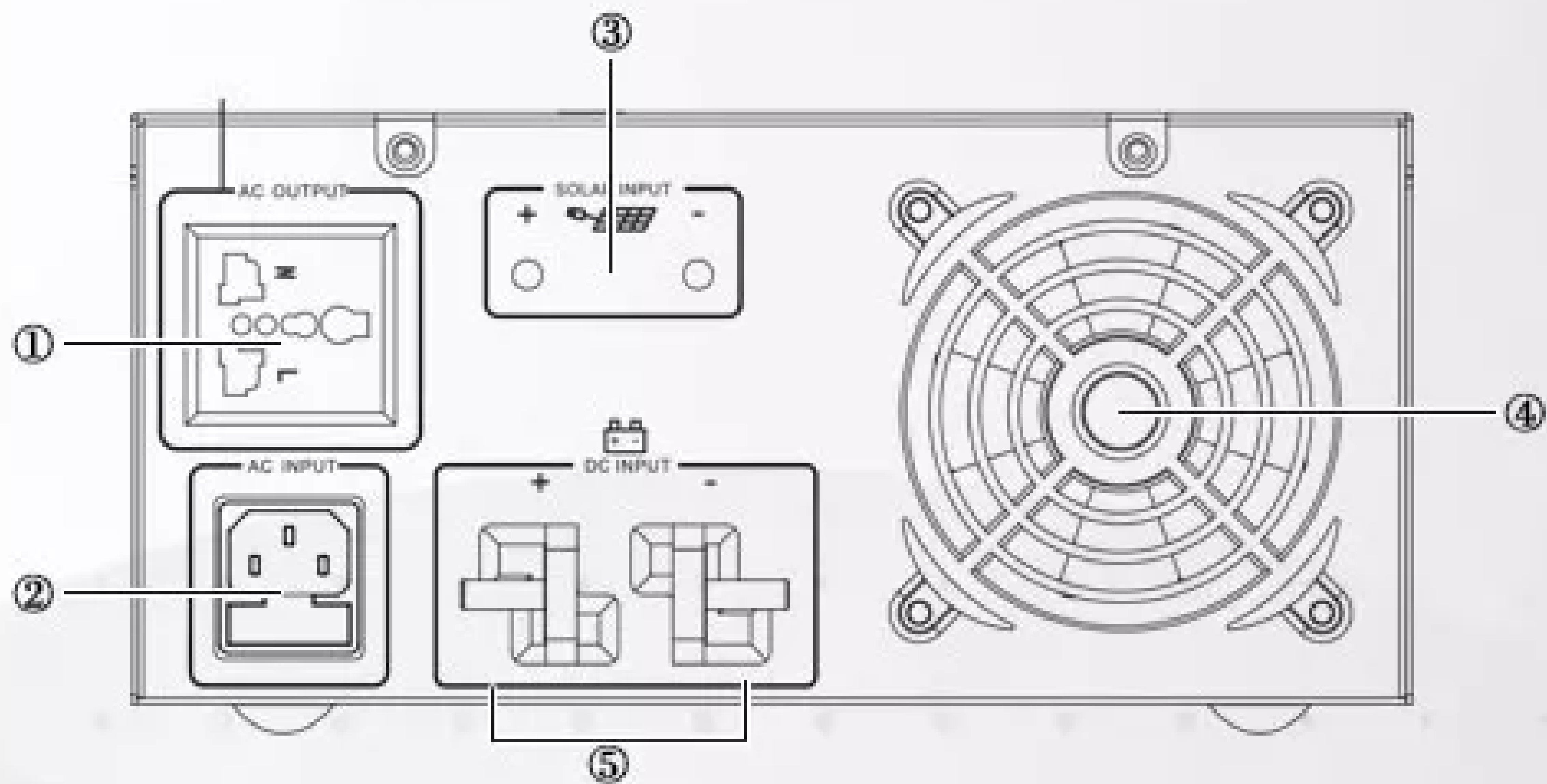
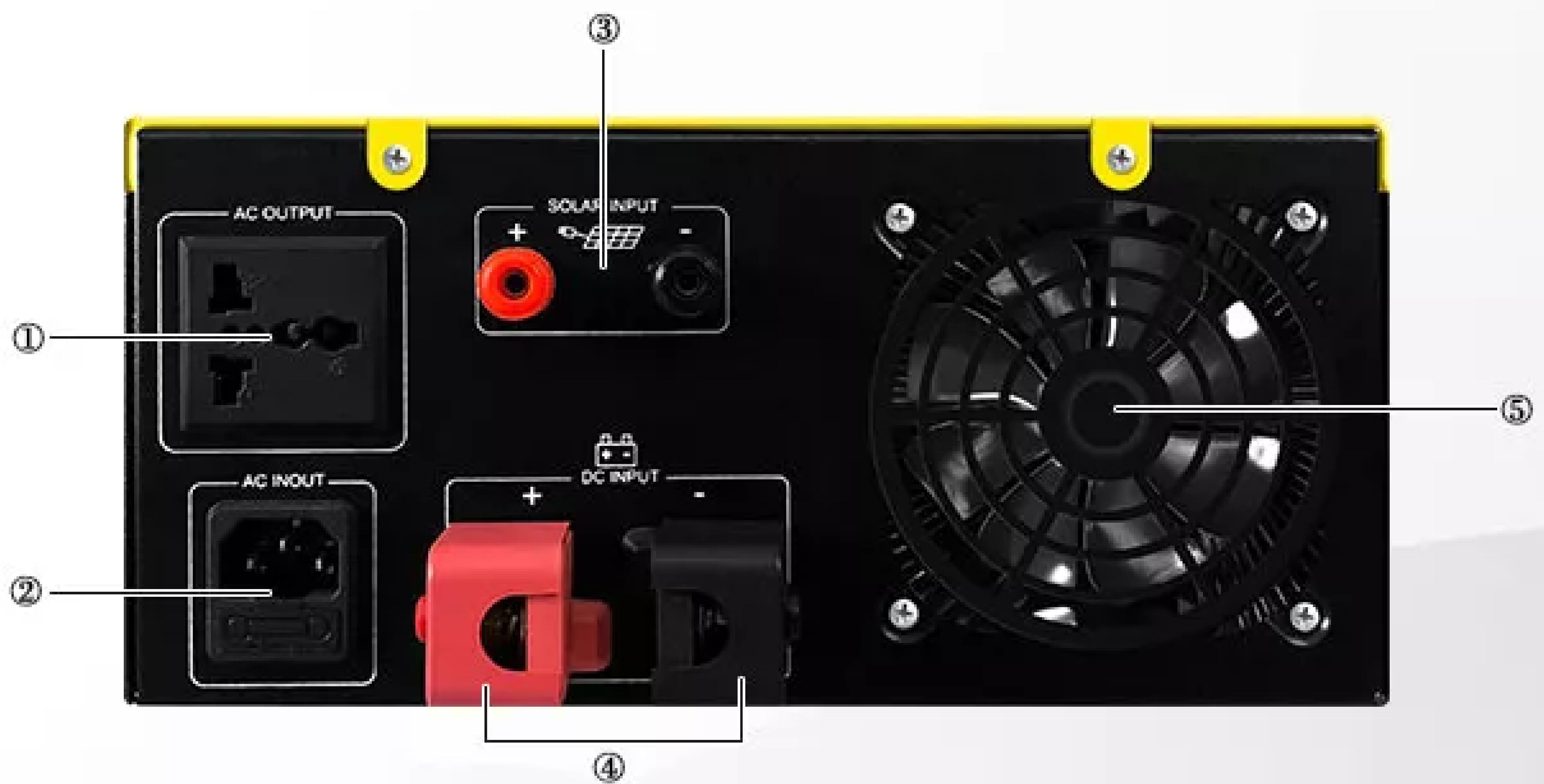
Insect prevention



Dimensions-D X W X H (mm)

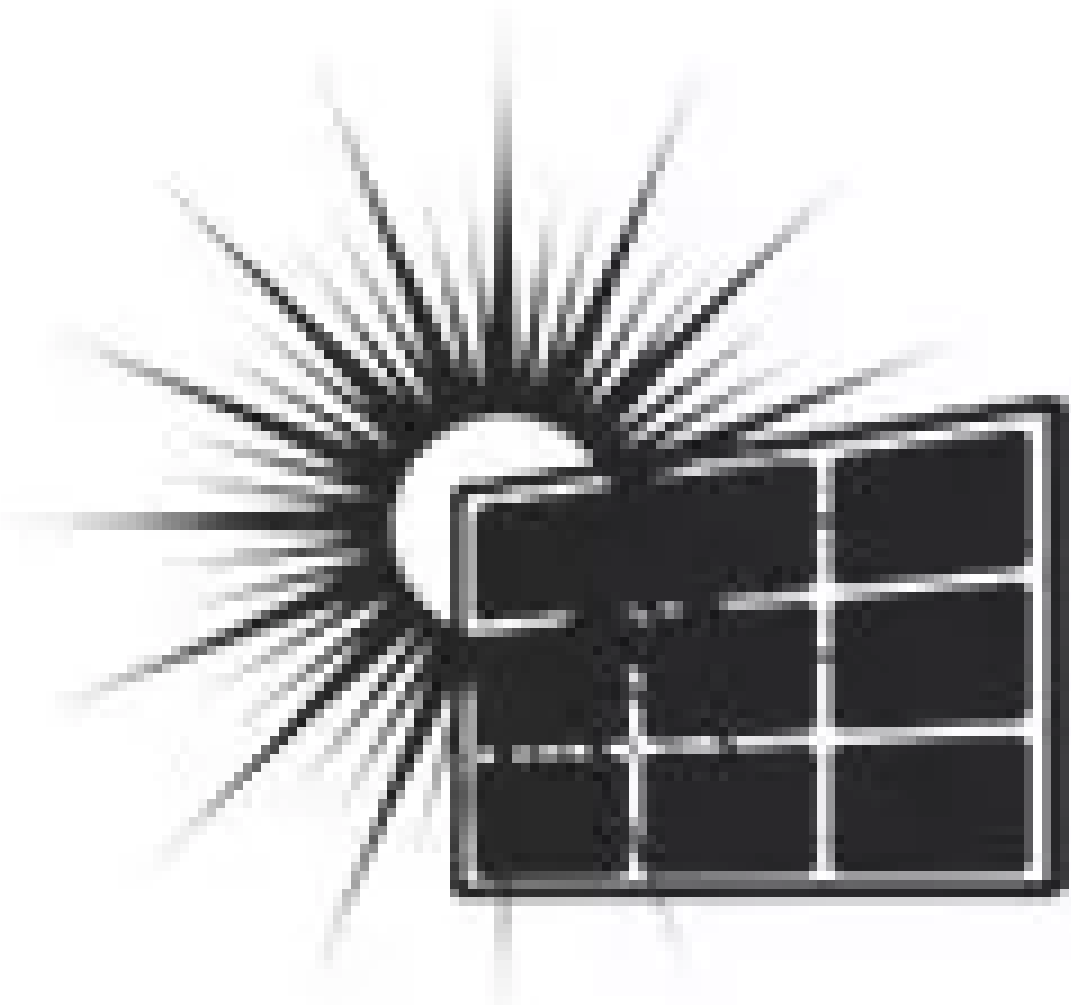


- ① LED SCREEN
- ② AC Mode Indicator
- ③ Inverter Mode Indicator
- ④ Charge Indicator
- ⑤ Alarm Indicator
- ⑥ ON/OFF
- ⑦ Enter
- ⑧ UP/DOWN
- ⑨ Esc

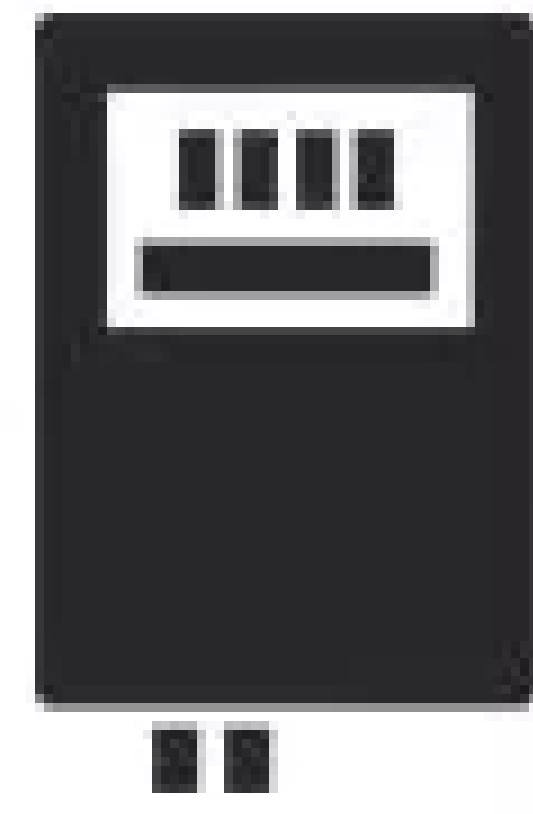


Smart charging process protecting the battery life span

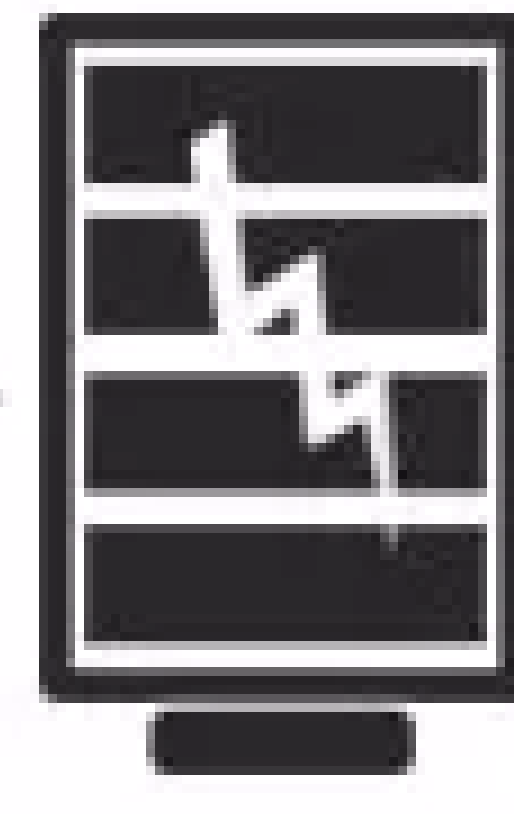
- ① RS232 Communication port
- ② USB Communication port
- ③ Battery Terminal
- ④ Fan
- ⑤ Fuse(Recoverable over current protector)
- ⑥ Wire holes



PV Array



Controller



Battery



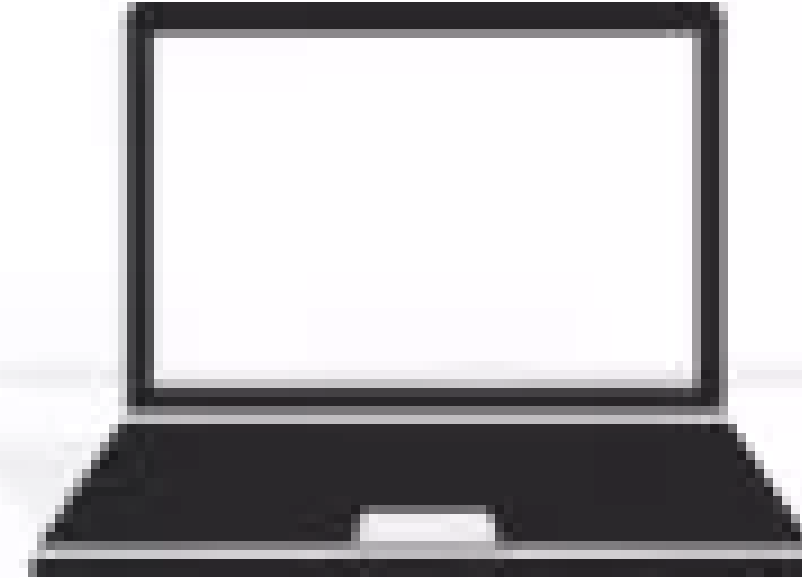
Inverter



Home



Load



Load



Load



• Front view



• Side view



• Backside

Applications

Home Appliances/yacht and boat/Telecom Equipment/
street light and CCTV system/cavaran/ agriculture and fishery



Home appliances



Telecom Equipment



Agriculture and fishery



Agriculture and fishery

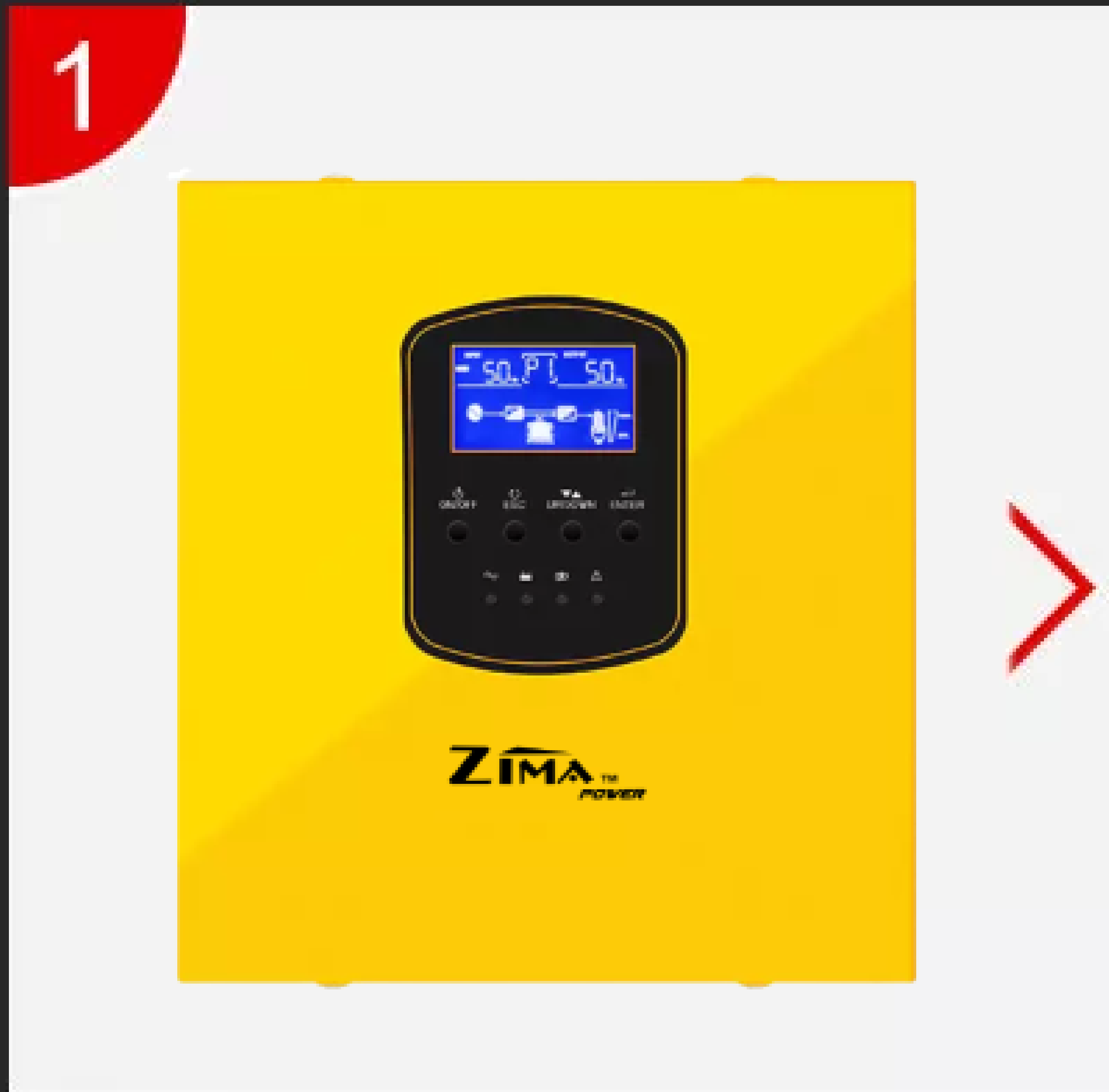


Electrical power supply



The mountains of power supply

Packging



Solar Inverter Parameter

Model	VE1012	VE2012	VE3024	VE5024	VE6048	VE8048	VE10048
Capacity	1KVA	2KVA	3KVA	5KVA	6KVA	8KVA	10KVA
Voltage	12VDC/24VDC	12VDC/24VDC	24VDC/48VDC	24VDC/48VDC	48VDC	48VDC	48VDC
Rated Power	800W	1600W	2400W	4000W	4800W	6400W	8000W
Normal Voltage	220VAC						
Voltage Range	154-265VAC±3V (AC Mode) ,185-264VAC±3V (UPS Mode)						
Frequency	50/60Hz±5% Auto Sensing						
Power Factor	0.8						
Waveform	Pure Sine Wave						
Transfer Time	<8ms						
Output Voltage	220VAC±10%						
Output Frequency	50HZ/60HZ±1%						
Bypass Mode	Yes						
Saver Mode	Yes						
MPPT Efficiency	>98%						
Battery Type	Lead Acid Battery, Tubular Battery, Floating Battery,Lithium Battery						
AC Charging Current	15A/8A	40A/20A	30A/15A	42A/21A	40A	50A	65A
Battery Charging Voltage	13.75VDC/27VDC	13.5VDC/27VDC	27VDC/54VDC	27VDC/54VDC	54VDC	54VDC	54VDC
Maximum PV Array Power	800W/1600W	800W/1600W	1600W/3200W	1600W/3200W	3200W	3200W	3200W
MPPT (PWM) Input Voltage Range	15-150VDC(15-33VDC)/30-150VDC(30-60VDC)	15-150VDC(15-33VDC)/30-150VDC(30-60VDC)	30-150VDC(30-60VDC)/65-150VDC(60-105VDC)	30-150VDC(30-60VDC)/65-150VDC(60-105VDC)	65-150VDC(60-105VDC)	65-150VDC(60-105VDC)	65-150VDC(60-105VDC)
MPPT (PWM)Maximum PV Display Open Circuit Voltage	150VDC(38VDC)	150VDC(75VDC)	150VDC(75VDC)	150VDC(75VDC)	150VDC(100VDC)	150VDC(100VDC)	150VDC(100VDC)
Maximum Charging Current	60A						
Protection Function	Input Over Current Air Switch Protection(AC Mode) Overload Protection, Short Circuit Protection, Low-Voltage Protection, Protection of Opposite Connection						
LCD Indicator Status	AC Input Voltage, AC Input Frequency, PV Voltage, PV Current , Output Voltage, Output Frequency, Battery Voltage, Load Current ,etc.						
LOW Battery Protection	Audible Alarm- Continuous Beeping						
LOW Battery Alarm	Audible Alarm-Every Seconds Beeping						
Overload Alarm	Audible Alarm- Continuous Beeping						
Fault	Audible Alarm- Continuous Beeping						
Operation Temperature	0℃~40℃						
Storage Temperature	-15℃~45℃						
Humidity	-10℃~90℃ Non Condensing						
Accoustic Noise	<45dB						
Size (L*W*H)	512mm*320mm*136mm					700mm*330mm*150mm	
Weight	11KG	15.5KG	17.2KG	22KG	24.5KG	28.5KG	32KG